

## DC120

## Rack and pinion door closer with link arm



## ASSA ABLOY DC120

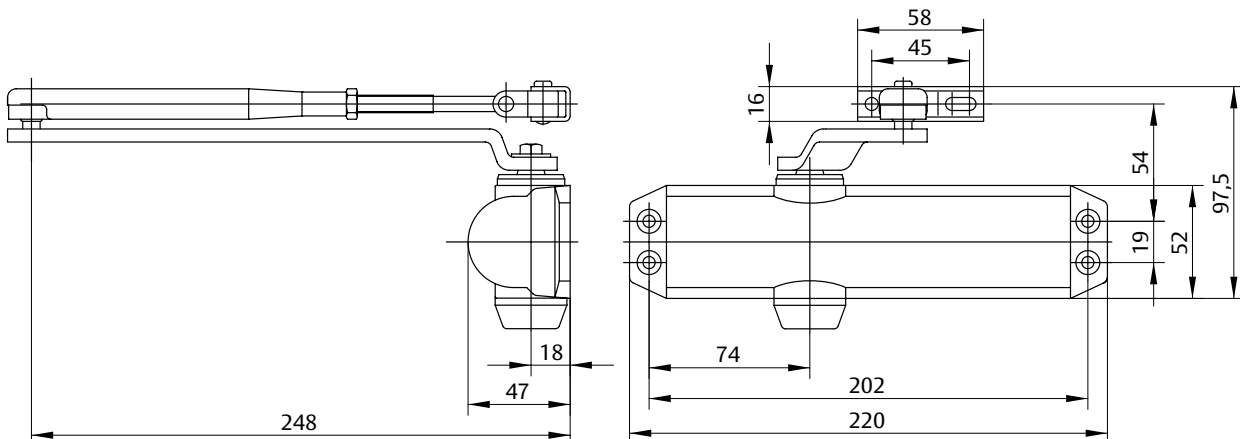
- Certified in compliance with EN 1154, size 2/3/4
- For single action doors up to 1100 mm

## Characteristics for DC120

- Can be used for left and right-handed doors
- Suitable for fire and smoke protection doors
- Closing speed, latching speed and backcheck continuously adjustable using regulating valves
- Thermodynamic valves for consistent performance
- Closing force configurable
- Opening angle up to 180° (105° in mounting position EN size 4)
- Standard colours: silver EV1; white, similar to RAL9016; black, similar to RAL9005



CE	ASSA ABLOY	11
	Sicherheitstechnik GmbH Bildstockstraße 20 72458 Albstadt	
1162-CPD-0535	EN 1154:1996+A1:2002 +AC:2006	4 8 2/3/4 1 1 4
Dangerous substances: None		



# DC120

## Technical attributes

Technical attributes	
Door width up to	1100 mm
Closing force configurable	EN 2 / 3 / 4
Fire and smoke protection	yes
DIN door swing directions	left / right handed
Closing speed	Variable between 180°-15°
Latching speed	Variable between 15°-0°
Backcheck	Variable above 75°
Weight	1.6 kg
Height	52 mm
Depth	47 mm
Length	220 mm
Certified in compliance with	EN 1154
CE marking for building products	yes

### The advantages at a glance

Our service for you: here you can see the individual advantages of our door closer models for your respective field of business.

Customer segment	Advantages
Project planners	- Compact design - Favourably priced, reliable closer model
Builders	- Quick and easy installation - Suitable for left and right handed doors - Easy to adjust
Trade	- Inexpensive closer model for standard doors - All-inclusive package with door closer and link arm
User	- Largely unaffected by temperature fluctuations thanks to thermodynamic valves - Backcheck feature offers optimum protection for doors and walls

### Specifications for DC120

ASSA ABLOY Door Closer DC120 featuring rack and pinion technology in compliance with EN 1154

- Closing force configurable, EN size 2/3/4, for doors up to 950 mm (1100 mm) wide
- Closing speed, latching speed and backcheck continuously adjustable
- Suitable for fire and smoke protection doors
- CE approved
- Suitable for left and right handed doors

#### Accessories:

- Link arm L141
- Parallel arm bracket A154

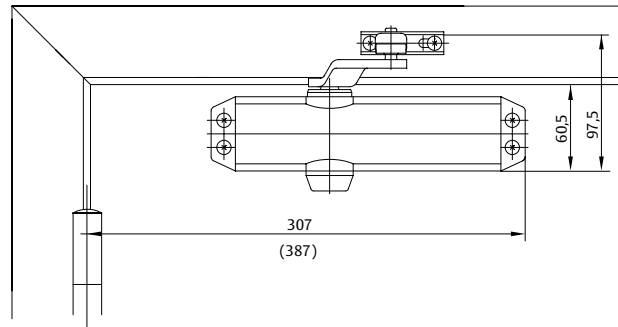
#### Colour:

- Silver EV1
- White, similar to RAL9016
- Black, similar to RAL9005

You can find the complete specifications on the Internet at: ([Link of your companies homepage](#))

# DC120

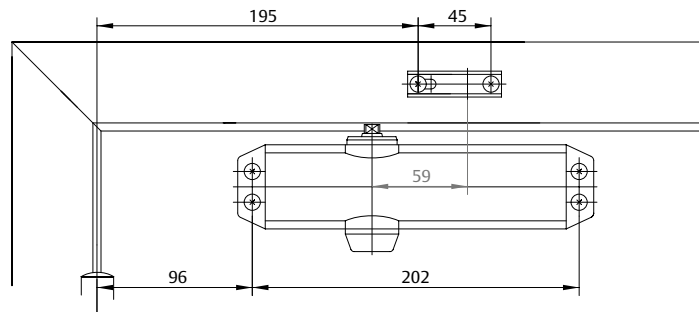
## Dimensional drawings



### Required space on doors

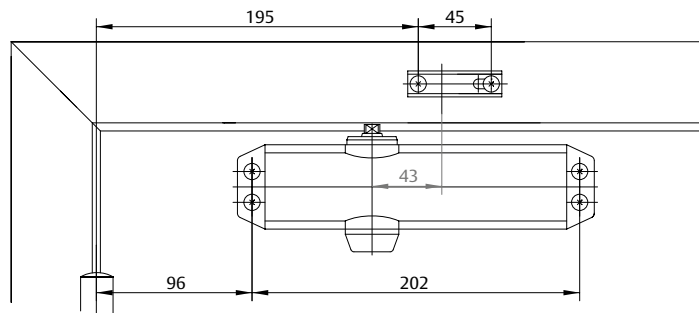
Left handed shown in diagram

Right handed is the reverse



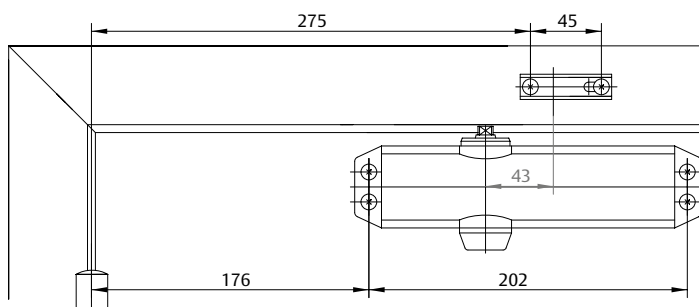
### Installation dimensions

Installation dimensions  
EN2



### Installation dimensions

Installation dimensions  
EN3

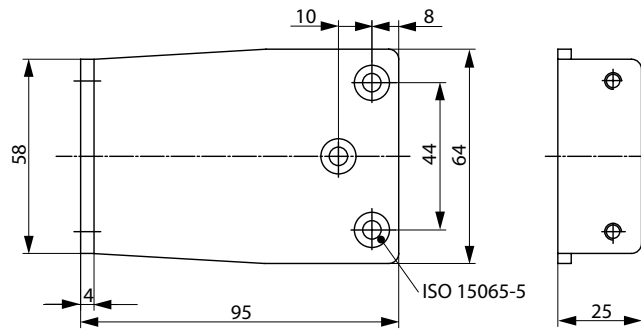


### Installation dimensions

Installation dimensions  
EN4

## DC120

## Accessories and order placement information



## Parallel arm bracket A154

For Parallel Arm installation.  
Check suitability for use on fire and smoke protection doors.

Description	Order no.	Description	Order no.
DC120, EN size 2/3/4, silver EV1		Hold-open link arm L141, white, similar to RAL9016	
DC120 EN, size 2/3/4, white, similar to RAL 9016		Hold-open link arm L141, brown, similar to RAL8014	
DC120 EN, size 2/3/4, brown, similar to RAL8014		Hold-open link arm L141, black, similar to RAL9005	
DC120 EN size 2/3/4, black, similar to RAL9005		Parallel arm bracket A154, silver EV1	
DC120 body EN size 2/3/4, silver EV1		Parallel arm bracket A154, white, similar to RAL9016	
DC120 body EN size 2/3/4, white, similar to RAL9016		Parallel arm bracket A154, brown, similar to RAL8014	
DC120 body EN size 2/3/4, brown, similar to RAL8014		Parallel arm bracket A154, black, similar to RAL9005	
DC120 body EN size 2/3/4, black, similar to RAL9005			
Hold-open link arm L141, silver EV1			